

PLANKING / DECKING

Aluminum-Plywood Decking

Safe working load 3.6 kN/m² (75 lb/sq.ft.)
 Several Deck Hook Styles Available



DESCRIPTION	WIDTH		LENGTH		WEIGHT	
	metric	imperial	metric	imperial	metric	imperial
Plywood Deck 10'	440 mm	19"	3.05 m	10'	20 kg	44 lbs
Plywood Deck 8'	490 mm	19"	2.45 m	8'	14.6 kg	32 lbs
Plywood Deck 7'	490 mm	19"	2.13 m	7'	12.73 kg	28 lbs
Plywood Deck 6'	490 mm	19"	1.9 m	6'	10.9 kg	24 lbs
Plywood Deck 5'	490 mm	19"	1.57 m	5'	9.1 kg	20 lbs
Plywood Deck 4'	490 mm	19"	1.2 m	4'	7.3 kg	16 lbs

Micro LAM-LVL

LAMINATES
 provide control in manufacturing;
 results in a consistent,
 predictable plank

END SEALER
 retards moisture entry

WATERPROOF ADHESIVE
 ensures bonding in extended
 wet-use



ROUGH-SAWN SURFACE
 improves traction;
 available on request

OSHA STAMP
 confirms conformance to
 applicable standards

PROOF TESTED STAMP
 confirms factory load
 testing of each plank

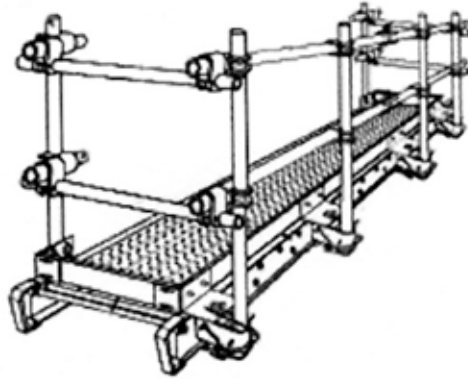
DESCRIPTION	SIZE	WEIGHT	
Engineered Wood 4' Plank	1.5" D x 9.25" W	5.82 kg	12.8 lbs
Engineered Wood 5' Plank	1.5" D x 9.25" W	7.27 kg	16 lbs
Engineered Wood 6' Plank	1.5" D x 9.25" W	8.73 kg	19.2 lbs
Engineered Wood 8' Plank	1.5" D x 9.25" W	11.64 kg	25.6 lbs
Engineered Wood 10' Plank	1.5" D x 9.25" W	14.55 kg	32 lbs
Engineered Wood 12' Plank	1.5" D x 9.25" W	17.45 kg	38.4 lbs
Engineered Wood 16' Plank	1.5" D x 9.25" W	32.27 kg	51.2 lbs



*custom sizes available upon request

PLANKING / DECKING

Aluminum Walk Boards / Catwalks



DESCRIPTION	SIZE	WEIGHT	
Aluminum Walk Board 12'	5.25" D x 24" W	36 kg	80 lbs
Aluminum Walk Board 16'	5.25" D x 24" W	41 kg	90 lbs
Aluminum Walk Board 18'	5.25" D x 24" W	45 kg	100 lbs
Aluminum Walk Board 20'	6" D x 24" W	55 kg	121 lbs
Aluminum Walk Board 24'	6" D x 24" W	66 kg	145 lbs
Aluminum Walk Board 30'	6.5" D x 24" W	98 kg	216 lbs

Steel Plank



DESCRIPTION	WIDTH	SIZE	WEIGHT
4' Steel Plank	9.25"	1.15 m (4")	7.7 kg (16.9 lbs)
5' Steel Plank	9.25"	1.57 m (5")	9.7 kg (21.3 lbs)
7' Steel Plank	9.25"	2.13 m (7")	13.6 kg (30 lbs)
10' Steel Plank	9.25"	3.05 m (10")	18.5 kg (40.8 lbs)

*custom sizes available upon request

WWW.AT-PAC.COM
1.800.263.0444